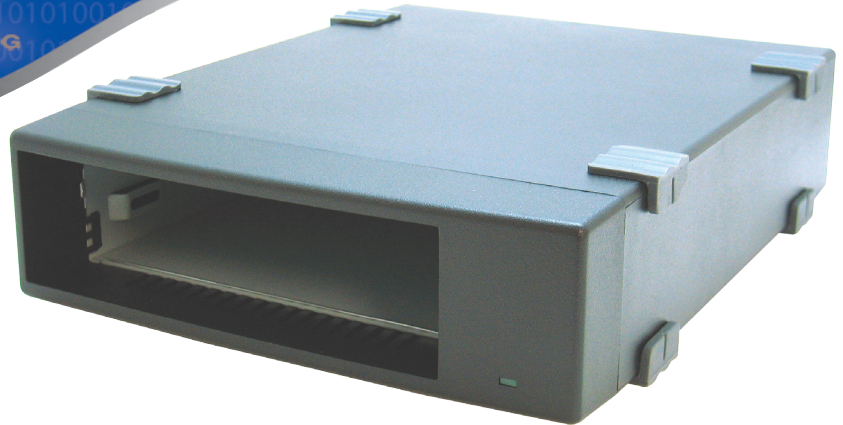


STORAGE SUPPORT SOLUTIONS

PDE

TECHNOLOGY
CORPORATION

PRODUCTION • DESIGN • ENGINEERING



11-0696

E301 LTO 4 Enclosure
SCSI (HD68), Black



11-0697

E301 LTO 4 Enclosure
Mini-SAS 8088, Black



11-0695

E301 LTO 4 Enclosure
SAS 4X Multilane 8470, Black

LTO 3 / LTO 4 TAPE DRIVE E301 ENCLOSURE

- Provides an external housing solution for a 5.25" LTO Tape Drive.
- Turnkey solution includes:
 - Dedicated bezel for drive
 - Data cables
 - Drive mounting hardware
- Highest quality on the market
 - First tier covered power supply and fan
 - PDE is ISO 9001
 - 1 year warranty
- Contemporary Design
 - Rear mounted power switch
 - Internal autoswitching power supply
 - Available in black
 - custom colors are optional
- Stackable and Convertible
 - All drive types stack with universal footprint of standard E301
 - Enclosure can sit vertically or horizontally
- SCSI or SAS Interface
 - SCSI HD68
 - Mini-SAS 8088
 - SAS 8470
- Designed to exceed OEM requirements

PDE TECHNOLOGY CORPORATION
www.pdetechology.com

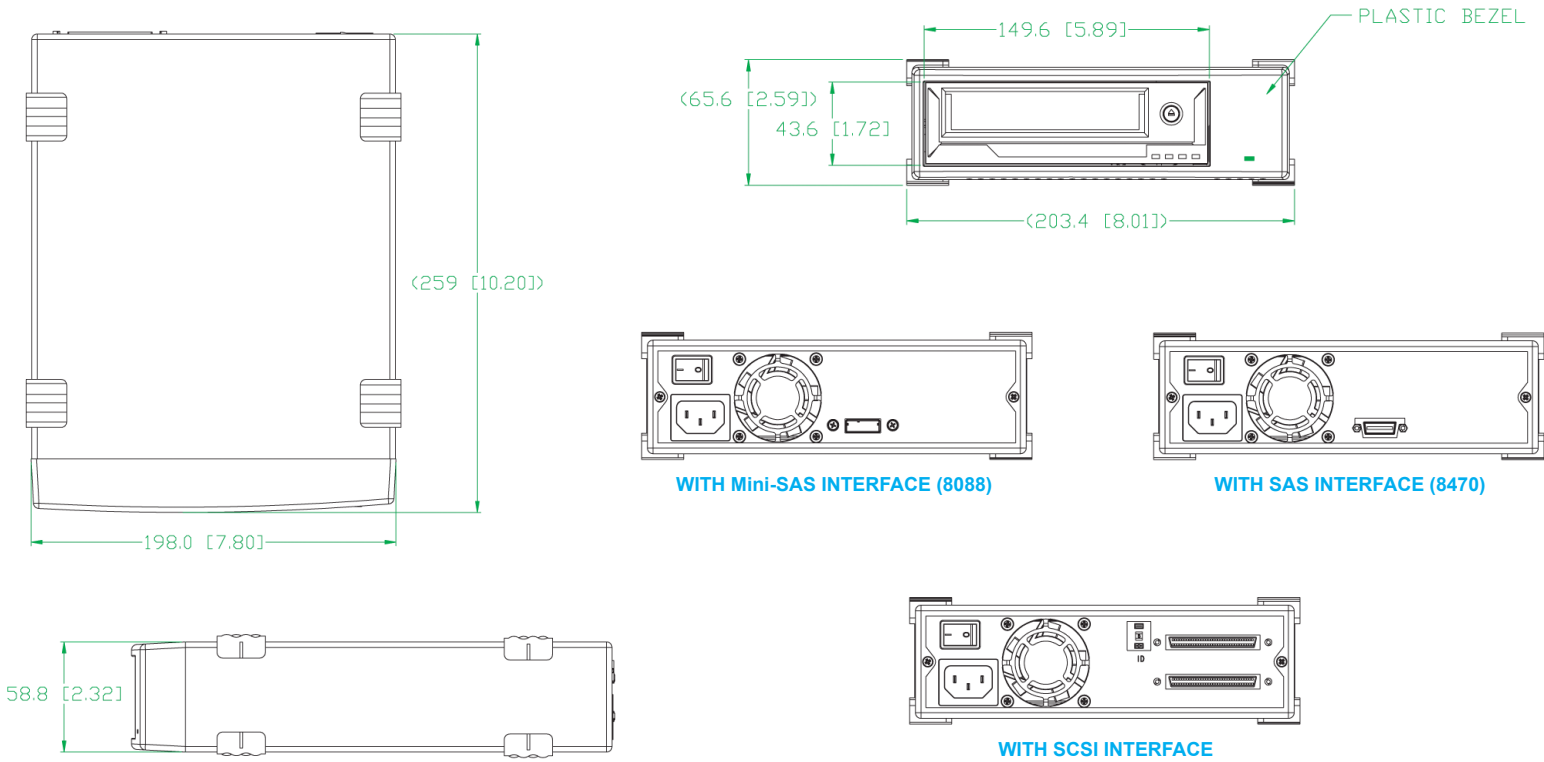
Distributed by:

Headquarters

11522 Markon Drive
Garden Grove, CA 92841
Phone: 714-799-1704
Fax: 714-799-1705
E-mail: info@pdetechnology.com

European Office

United Kingdom
Phone: 44 (0) 1252 879633
E-mail: info@pdetechnology.co.uk
Sales E-mail: sales@pdetechnology.co.uk



LTO 3/4 Tape Drive (E301 Enclosure) SPECS

DIMENSIONS (inches)

L- 10.2" x W- 8.01" x H- 2.59"
 Weight (lbs): 3.5 lbs, 4.4 lbs (with packaging)
 Master Carton Packaging: 21" x 14" x 17.5" / 6 pcs / 31.3 lbs

COOLING FAN

Brand: ADDA / SUNON
 Size: 50mm x 50mm x 10mm
 Air Flow: 10.5 - 11 CFM
 Power: 1.1 - 1.4 watts
 Safety Approval: UL, CUL, TUV, CE
 Brushless Cooling Fan

POWER SUPPLY

- 50 watt auto sensing power supply
- Input: 100-240
- Size: L- 151mm x W- 44mm x H- 32.5mm
- mtbf 60,000 hours at full load (25°C)
- Short circuit protection with auto recovery
- Over voltage protection with auto recovery
- UL, CSA, TUV approved

Output Voltage	Min	Max	Tolerance	Rippled Noise
+ 5v	.1A	4.0A	2%	50mv
+ 12v	.1A	3.0A	10%	120mv

Part Numbers for LTO 3/4 Tape Drive (E301 Enclosure)

11-0696: E301 LTO 4 Enclosure, SCSI (HD68), Black 11-0697: E301 LTO 4 Enclosure, Mini-SAS 8088, Black 11-0695: E301 LTO 4 Enclosure, SAS 4X Multilane 8470, Black

TESTING

Hi Pot Voltage Cosmetic Continuity Functionality Ground Power Supply w/ Load Electrical Cooling System Mechanical

CABLE OPTIONS & SPARE PARTS

Power Supply 25-1009
 Fan 25-1014

SCSI:
 3' HD68-HD68 External SCSI Cable 29-0801
 6' HD68-HD68 External SCSI Cable 29-0802
 3' HD68-VHDCI68 External SCSI Cable 29-0803
 6' HD68-VHDCI68 External SCSI Cable 29-0804
 SCSI Terminator, LVD 14-1025

SAS:
Mini-SAS 8088
 External Mini-SAS 8088 26pin - External Mini-SAS 8088 26pin,
 External Cable assembly
 .5 METER 29-1366
 1 METER 29-1290
 2 METER 29-1291
 3 METER 29-1293

SAS:
4X Multilane 8470
 External Multilane Thumbscrew SAS 8470-8470 Cable assembly
 .5 METER 29-1213
 1 METER 29-1214
 2 METER 29-1215
 3 METER 29-1216
 5 METER 29-1217
4X Multilane 8470 with Latch on the Card Side
 External Multilane Thumbscrew SAS 8470-8470 Cable assembly
 .5 METER 29-1237
 1 METER 29-1238
 2 METER 29-1239
 3 METER 29-1240

*Specs subject to change without notice

